

Graphics / Illustration: Tom Laird, College of Agricultural Sciences. Copyright Penn State.

Compost bin construction materials might include...

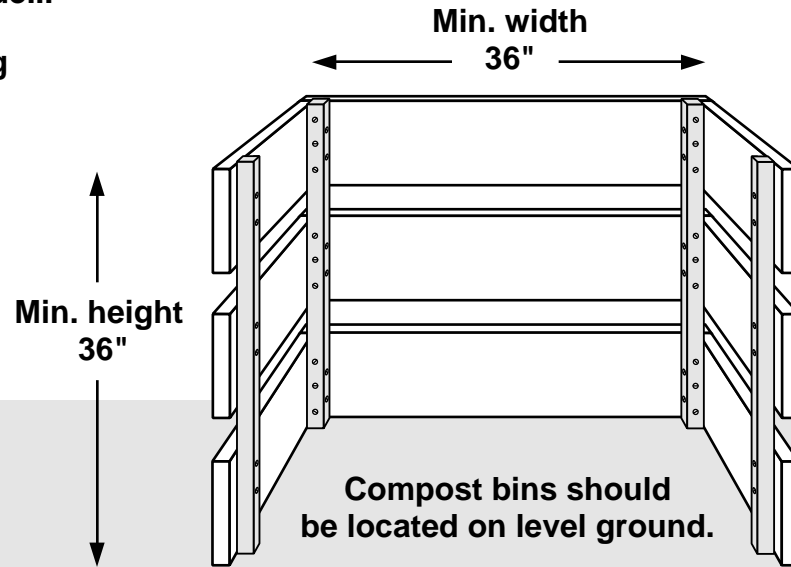
Wire or snow fencing
(posts optional)

Cinder blocks

Wood

- Lumber
- Used pallets
- Exterior plywood
- Lattice

Compost bins are not required for composting, but unconfined heaps may be visually offensive to neighbors.



Visit us at "<http://aginfo.psu.edu/news/psp/index.html>"

For Possible Spring/March Timeframe